

Specification sheet LX 889

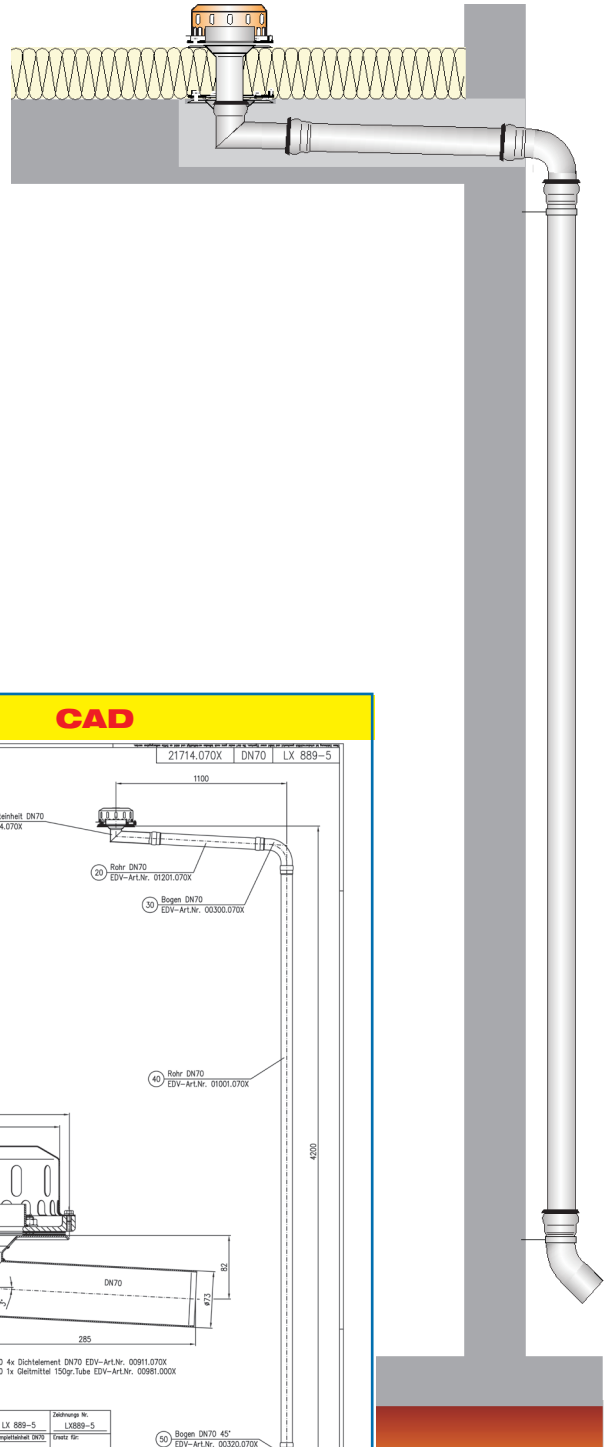
Roof drainage systems Series 84 DRAINLET®

Emergency drainage

Gravity flow

Silent Power

Discharge rate:	10,0 l/sec
Water height:	75 mm
Roof penetration:	-
Diameter:	DN 70
LX-Number:	LX 889
Weir height:	35 mm
Drain:	ventilated
Downpipe:	not ventilated
Downpipe height:	4,2 m
Drainage:	on floor

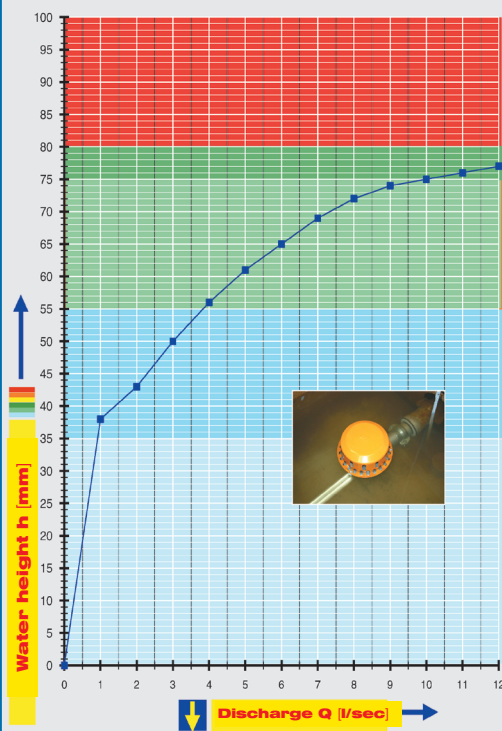


LX 889 Piece list

1 x Art.-No. choose drain on page two!

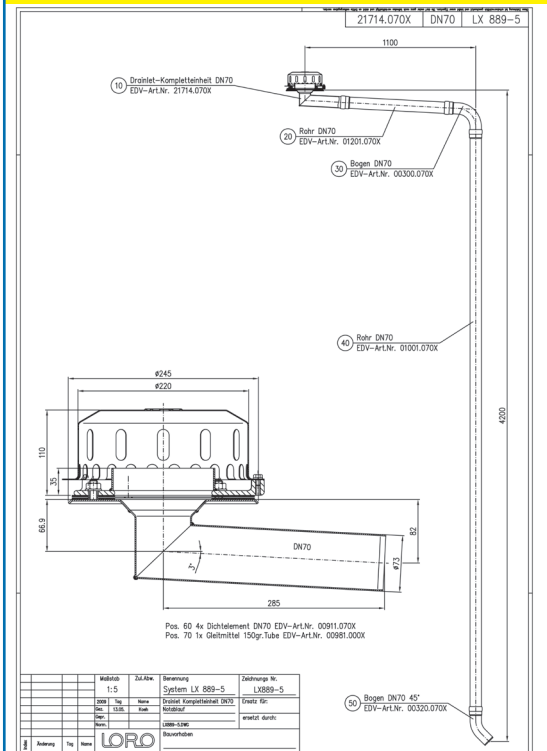
- 1 x Art.-No. 01201.070X, LORO-X Pipe with one socket
- 1 x Art.-No. 00300.070X, LORO-X Bend
- 1 x Art.-No. 01001.070X, LORO-X Pipe with one socket
- 1 x Art.-No. 00320.070X LORO-X Bend
- 4 x Art.-No. 00911.100X, LORO-X Sealing elements
- 1 x Art.-No. 00986.000X, LORO-X Lubricant

hQ - Head Discharge curve



Systempower

CAD



Systemshape

Water height	mm	5	10	15	20	25	30	35	40	45	50	55	60	65	70	75
Discharge	l/sec								1,4	2,2	3	3,8	4,8	6	7,4	10
Silent Power																

Choose drain for piece list on page one!

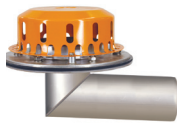
DN 70

without insulation

LX889-5X

Drain Art.-No. 21714.070X

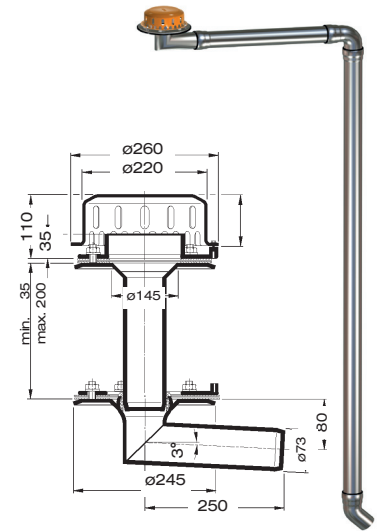
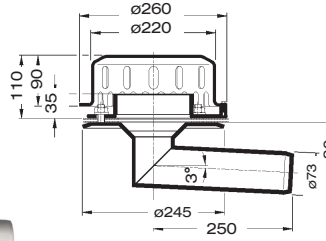
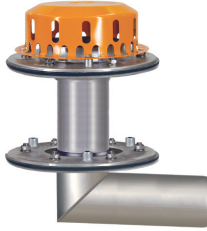
with clamping flange
one-piece



LX889-6X

Drain Art.-No. 21734.070X

with clamping flange
two-piece



with insulation

LX889-7X

Drain Art.-No. 21715.070X

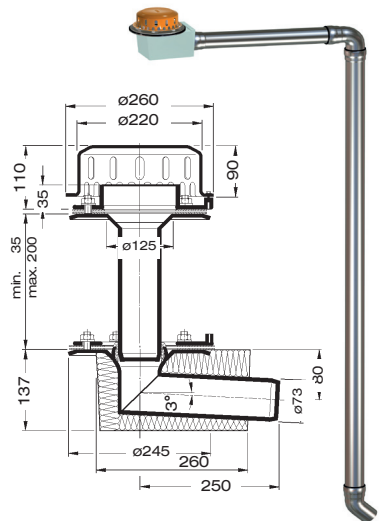
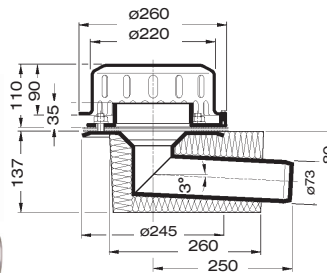
with clamping flange
one-piece



LX889-8X

Drain Art.-No. 21735.070X

with clamping flange
two-piece

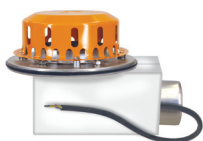


with insulation and heating

LX889-9X

Ablauf Art.-Nr. 21716.070X

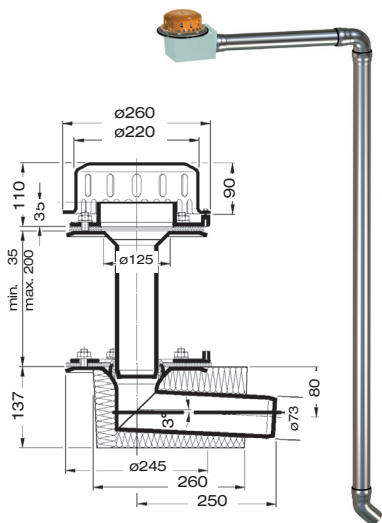
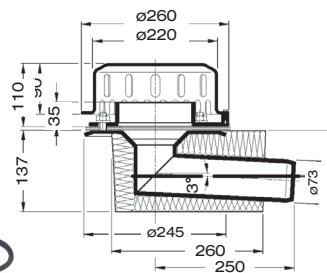
with clamping flange
one-piece



LX889-10X

Ablauf Art.-Nr. 21736.070X

with clamping flange
two-piece



Heat tracing: Lorowerk recommends to check all drains and pipes with regard to their frost-sensibility. Where necessary, these parts should be upgraded with heat tracing.